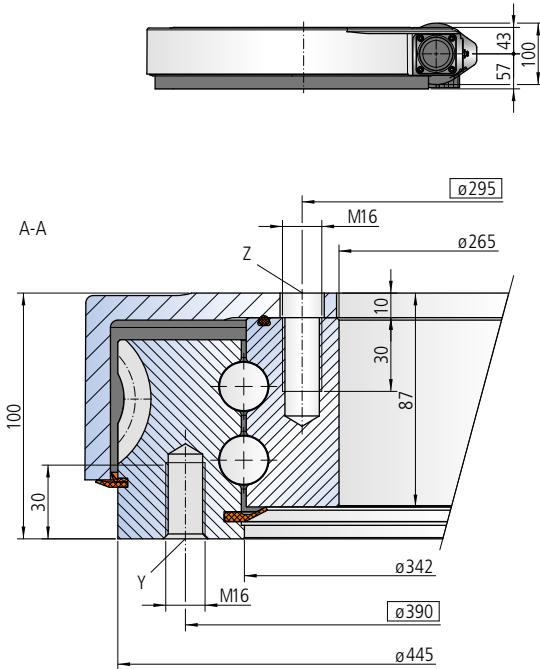
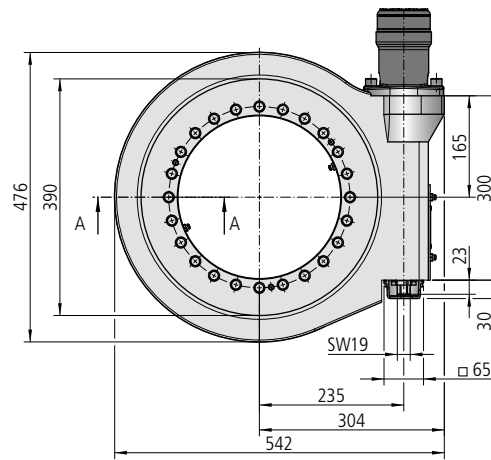


# WD-L series

## Size WD-L 0343 / 2-row / 1 drive



The mounting structure must support the housing to at least  $\varnothing 343$  and at most to  $\varnothing 449$



### Mounting holes

Y = 18 drill holes M16-30 deep, evenly distributed

Z = 24 drill holes  $\varnothing 18-10$  deep / M16-30 deep, evenly distributed

### Lubricating ports

4 conical grease nipples on internal diameter

2 conical grease nipples on housing exterior

Slew drive supplied pre-lubricated

### Drawing number WD-L 0343/3-12000

Module	<b>m</b>	[mm]	5
Number of threads of the worm		[-]	1
Gear ratio	<b>i</b>	[-]	86
Self-locking gears			No**
Max. torque $s_f = 1$	<b>M<sub>d max</sub></b>	[Nm]	12905
Nom. torque $s_w = 1$ at $n = 1 \text{ min}^{-1}$	<b>M<sub>d nom</sub></b>	[Nm]	10150
Max. holding torque* $s_{f5} = 1$ (static)	<b>M<sub>h max</sub></b>	[Nm]	12905
Static load rating, radial	<b>C<sub>o rad</sub></b>	[kN]	564
Static load rating, axial	<b>C<sub>o ax</sub></b>	[kN]	1511
Dynamic load rating, radial	<b>C<sub>rad</sub></b>	[kN]	255
Dynamic load rating, axial	<b>C<sub>ax</sub></b>	[kN]	298
Weight, incl. 6 kg for hydraulic motor OMP (X) 160		[kg]	82

\* Optionally with brake

\*\* See: Technical Information, section *Self-locking*

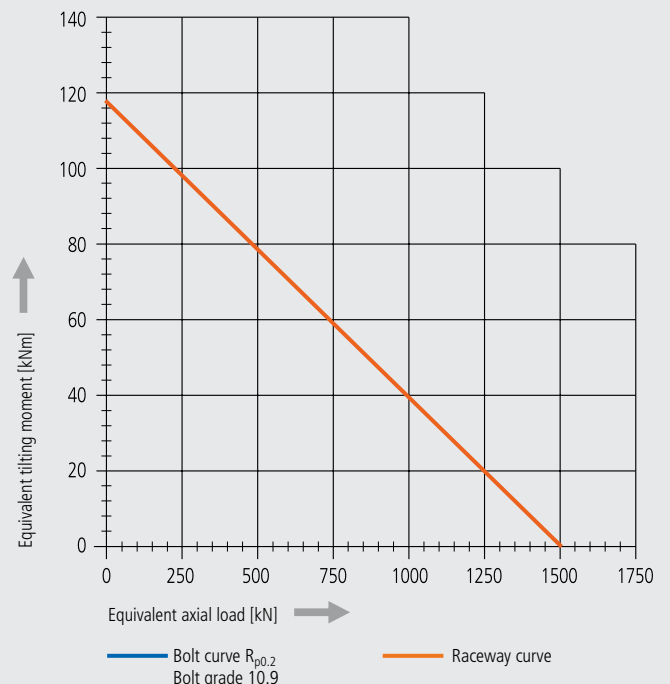
The hydraulic/electric motor is selected according to the actual requirements and customer specification.

Selection example:

Performance data with hydraulic motor OMP (X) 160

Pressure differential	<b><math>\Delta p</math></b>	[bar]	140
Oil flow	<b>Q</b>	[l/min]	18
Output speed	<b>n</b>	[min <sup>-1</sup> ]	1
Max. achievable torque	<b>M<sub>d</sub></b>	[Nm]	12905

### Limiting load diagram for compressive loads



Please always observe the technical information!